

Parts List			
ITEM	PART#	DESCRIPTION	NOTES
1	K1612	Series 12 Hinge Body	Assembly
2	K1655	Extended 1/4 Round Retainer w/Reveal	Assembly
43	5280	Hinge Screw	Drill 11/32" Pilot Hole
44	5230	Closure Screw	Drill #10 Counter Sink

Ship To:

Order #:

D

C

B

A

A

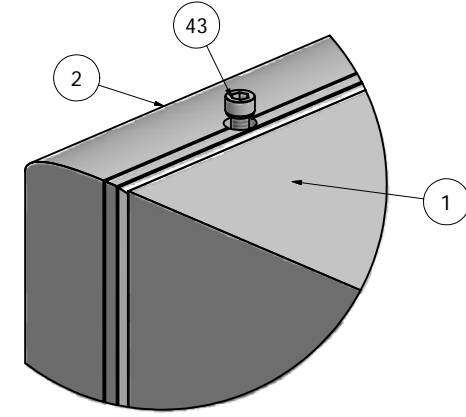
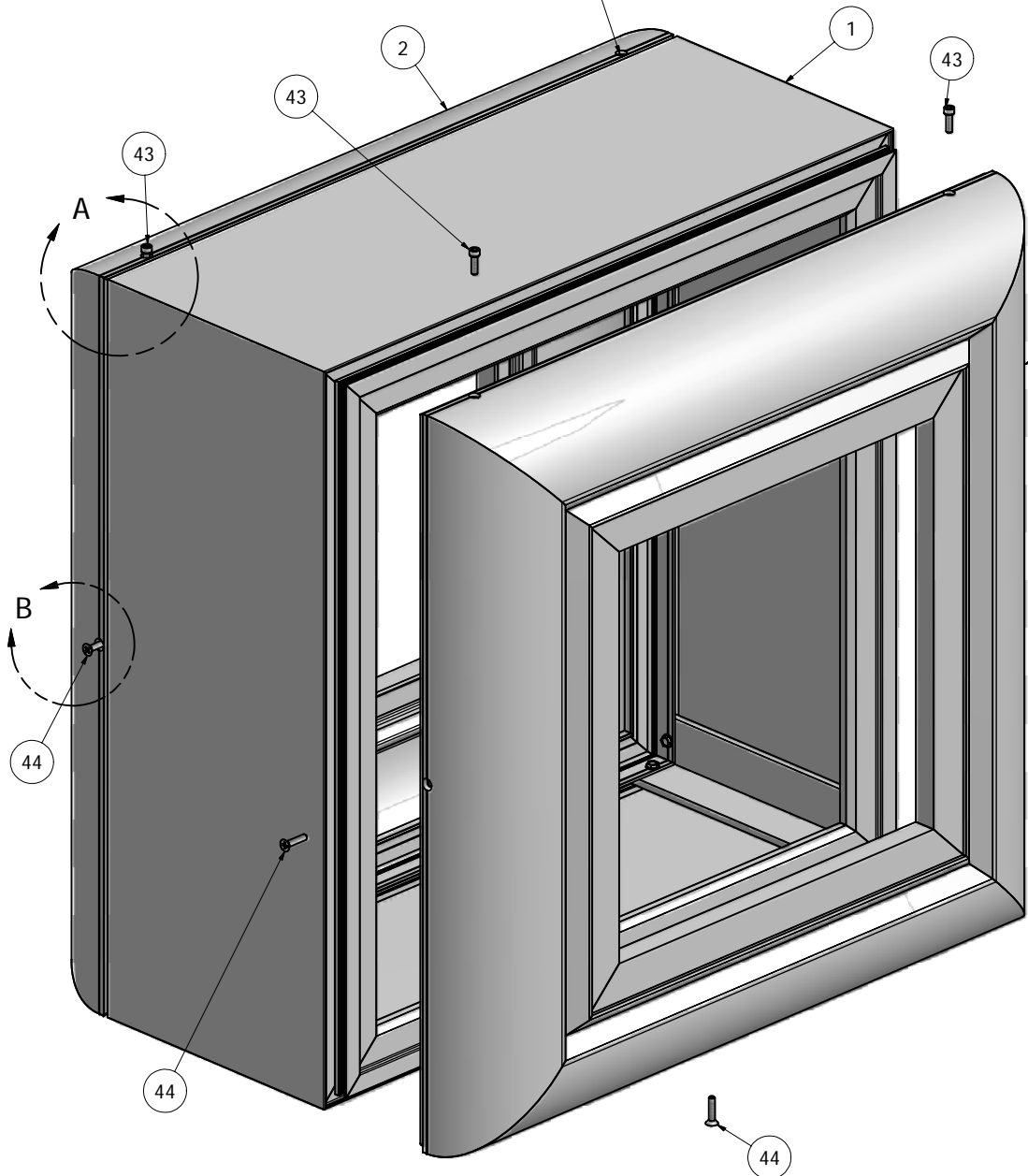
4

3

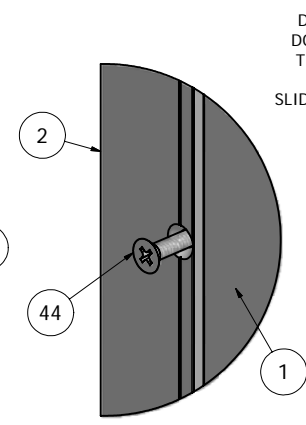
2

1

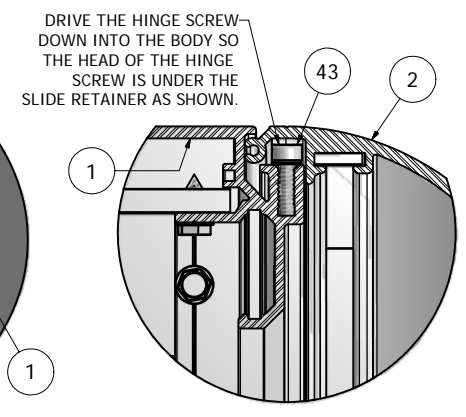
SEE DETAIL "D"



DETAIL A



DETAIL B



DETAIL D

DRIVE THE HINGE SCREW DOWN INTO THE BODY SO THE HEAD OF THE HINGE SCREW IS UNDER THE SLIDE RETAINER AS SHOWN.

NOTE: PRE-CUT KITS ARE NOT PRE-DRILLED.

(Holes shown in this drawing are for reference only. Drilling of pilot holes are to be done by fabricator.)

THIS DRAWING WAS CREATED AT NO CHARGE TO ASSIST YOU IN VISUALIZING OUR PROPOSAL. THE DRAWING HEREIN IS THE PROPERTY OF SIGNCOMP. PERMISSION TO COPY OR REVISE THIS DRAWING OR TO USE THIS DRAWING FOR PRODUCTION IS STRICTLY PROHIBITED AND CAN ONLY BE COPIED, REVISED OR USED FOR PRODUCTION WITH THE EXPRESSED WRITTEN PERMISSION OF SIGNCOMP.

DRAWN Steve	1/23/2009	SignComp		
CHECKED				
QA				
MFG				
APPROVED		Series 12 Hinge Body - Extended 1/4 Round Retainer w/Reveal - Assembly		
		SIZE C	DWG NO K1612-55	REV
		SCALE	SHEET 1 OF 1	

4

3

2

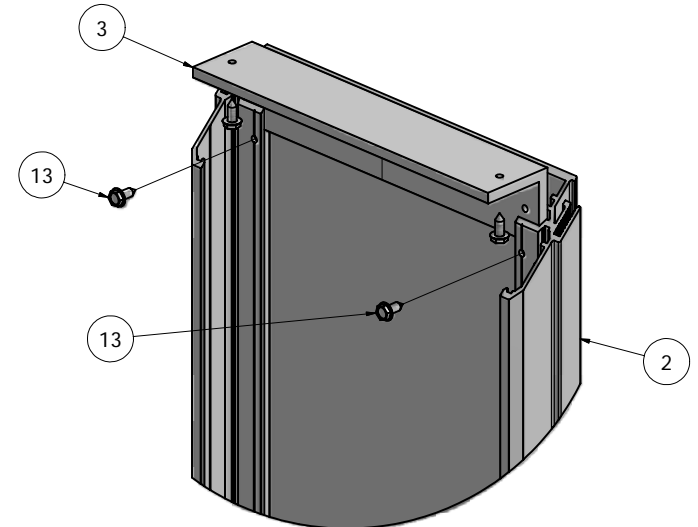
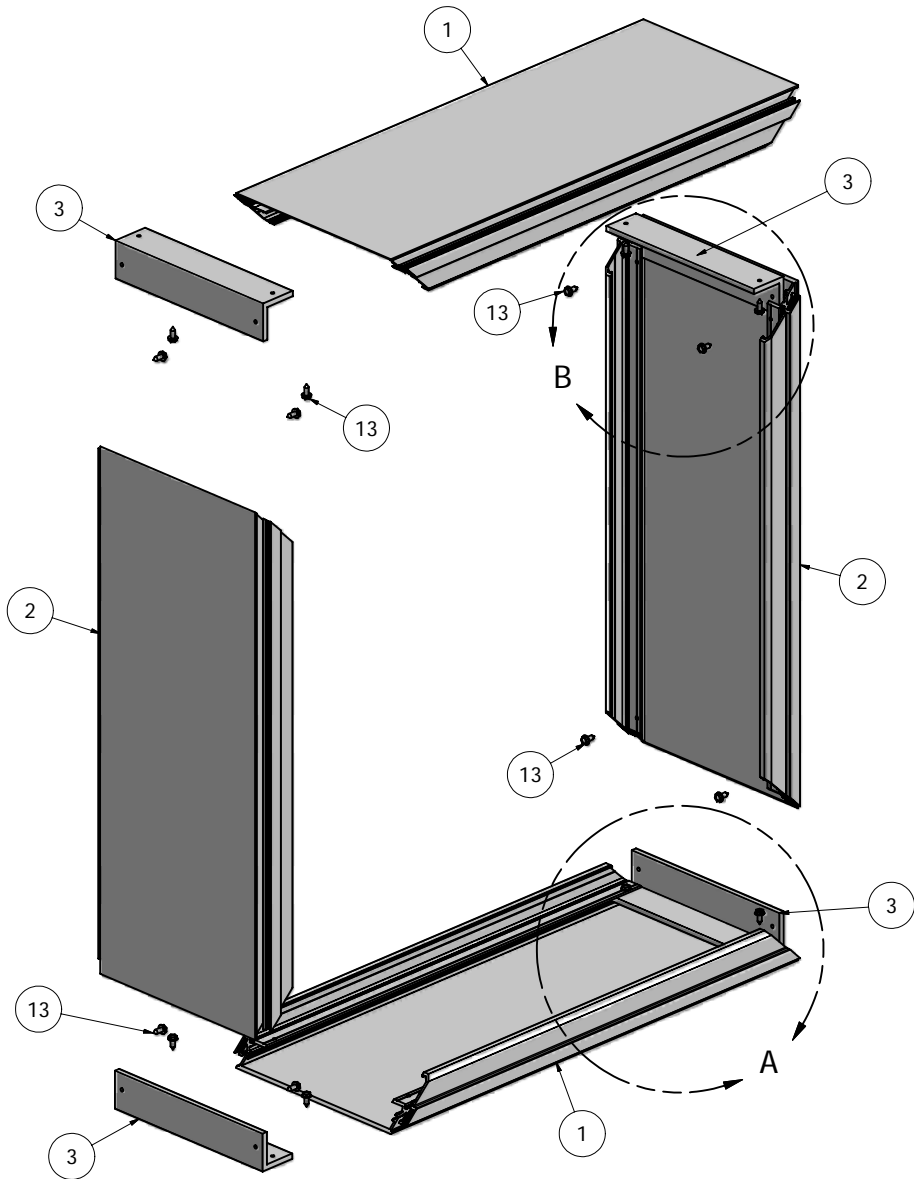
1

4

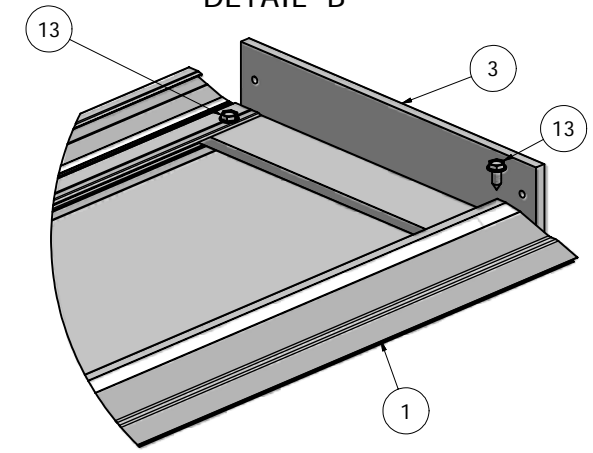
Parts List			
ITEM	PART #	DESCRIPTION	NOTES
1	1612	Series 12 Hinge Body	Top & Bottom
2	1612	Series 12 Hinge Body	Sides
3	5342	Series 12 Hinge Body Corner Angle	
13	5218	Corner Angle Screw	Drill 5/32" Pilot Hole

Ship To:

Order #:



DETAIL B



DETAIL A

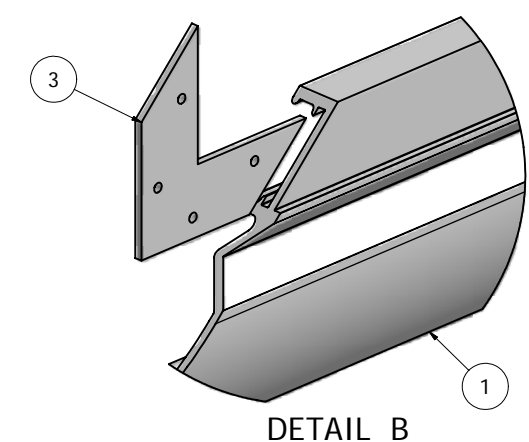
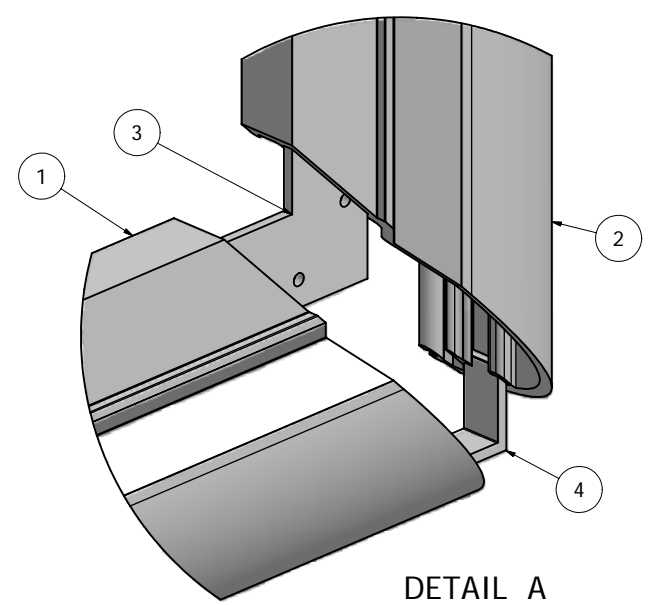
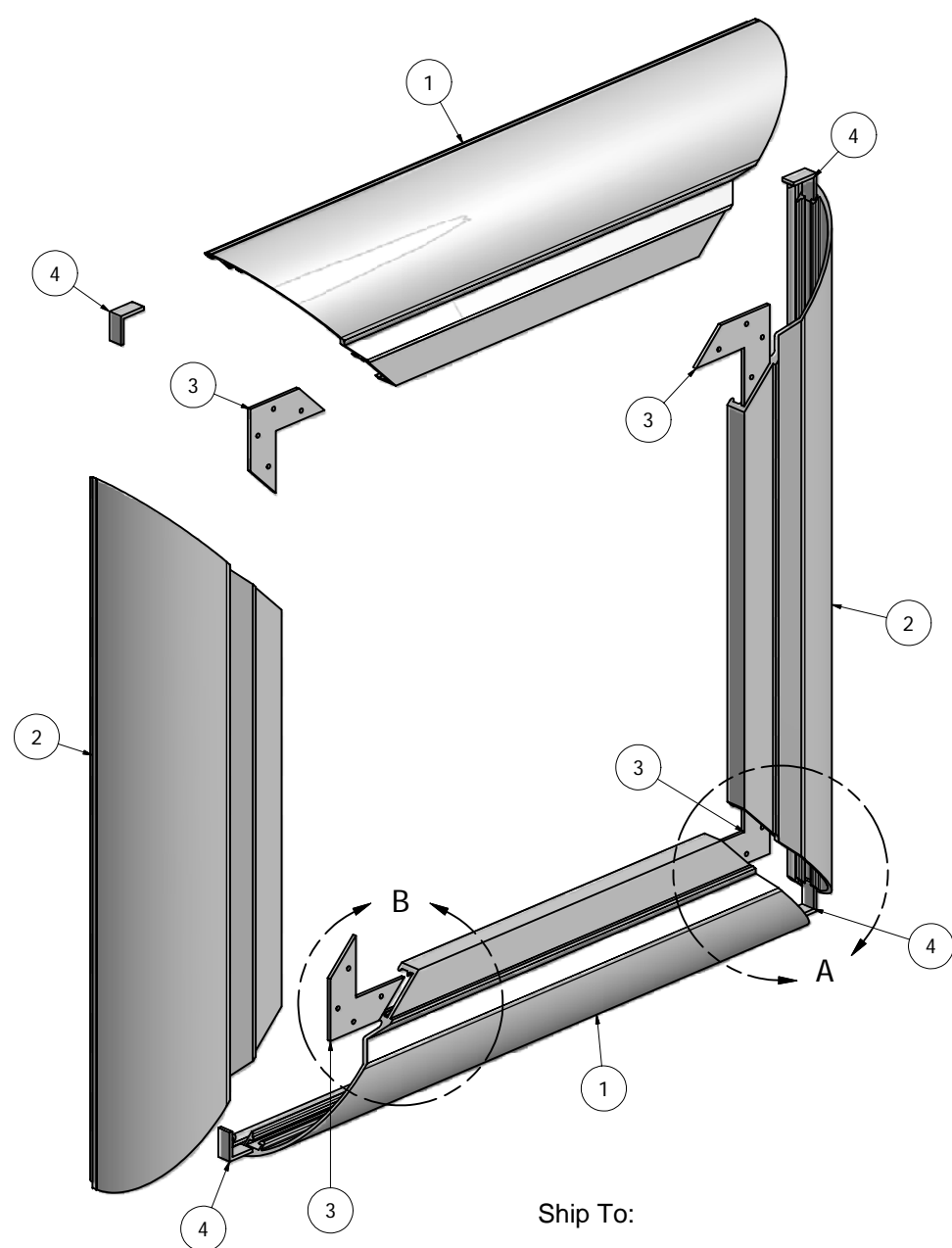
NOTE: PRE-CUT KITS ARE NOT PRE-DRILLED.

(Holes shown in this drawing are for reference only.
Drilling of pilot holes are to be done by fabricator.)

THIS DRAWING WAS CREATED AT NO CHARGE TO ASSIST YOU IN VISUALIZING OUR PROPOSAL. THE DRAWING HEREIN IS THE PROPERTY OF SIGNCOMP. PERMISSION TO COPY OR REVISE THIS DRAWING OR TO USE THIS DRAWING FOR PRODUCTION IS STRICTLY PROHIBITED AND CAN ONLY BE COPIED, REVISED OR USED FOR PRODUCTION WITH THE EXPRESSED WRITTEN PERMISSION OF SIGNCOMP.

DRAWN Steve	12/22/2008	<h1>SignComp</h1> <p>Series 12 Hinge Body - Assembly</p>	
CHECKED			
QA			
MFG			
APPROVED			
	SIZE C	DWG NO K1612	REV
	SCALE	SHEET 1 OF 1	

Parts List			
ITEM	PART #	DESCRIPTION	NOTES
1	1655	Extended 1/4 Round Retainer w-Reveal	Top & Bottom
2	1655	Extended 1/4 Round Retainer w-Reveal	Sides
3	5210	Corner Key	Pre-Punched
4	5325	Extended 1/4 Round Retainer w-Reveal Corner Angle	



NOTE: PRE-CUT KITS ARE NOT PRE-DRILLED.
 (Holes shown in this drawing are for reference only.
 Drilling of pilot holes are to be done by fabricator.)

Ship To:
 Order #:

THIS DRAWING WAS CREATED AT NO CHARGE TO ASSIST YOU IN VISUALIZING OUR PROPOSAL. THE DRAWING HEREIN IS THE PROPERTY OF SIGNCOMP. PERMISSION TO COPY OR REVISE THIS DRAWING OR TO USE THIS DRAWING FOR PRODUCTION IS STRICTLY PROHIBITED AND CAN ONLY BE COPIED, REVISED OR USED FOR PRODUCTION WITH THE EXPRESSED WRITTEN PERMISSION OF SIGNCOMP.			
DRAWN	12/22/2008	SignComp	
CHECKED			
QA		TITLE	
MFG		Extended 1/4 Round Retainer w-Reveal - Assembly	
APPROVED		SIZE	DWG NO
		C	K1655
		SCALE	SHEET 1 OF 1